

ESPERA



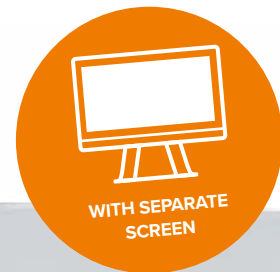
ESPERA **NOVA** ES-M

The Manual Weigh Price Labelling System – digital, flexible intuitive.

FOR THOSE WHO DON'T WANT TO WAIT FOR THE FUTURE – DISCOVER THE NEW GENERATION IN MANUAL WEIGH PRICE LABELLING ESPERA **NOVA**

ES-M

The new ES-M labelling system sets completely new standards in terms of flexibility, stability and service-friendliness and can be used as a stand-alone printer, total printer or for weight-related goods labelling. Combined with smart, digital functions of the Think4Industry machine software, machine operation is easier and more intuitive than ever before.



Individual adjustment and balancing of printing force for a perfect label print.

Weight ranges available up to:
7.5 kg / 12 kg / 30 kg / 60 kg.



Unique light barrier bar for automatic recognition of different label sizes and label geometries.



ESPERA

The ES-M Manual weighing- and labelling system convinces with a unique high-performance printing technology up to 300 mm/sec.

The motor-driven unwinding technology to release the backing paper, ensures maximum reliability and precision for the label application process.

The separate 15.6" display ensures maximum user ergonomics.

Stable and hygienic stainless-steel machine housing including all inside positioned cable connections.



SMART TECHNOLOGY INSIDE

We adapt our machines to your production requirements and not vice versa!

Think4Industry

The smart machine software for an easy and intuitive machine operation.

SmartHead

Keep a realtime overview of the printing quality of the thermal bar as well as the remaining runtime by using the unique *SmartHead* functionality as a tool to improve your quality control.

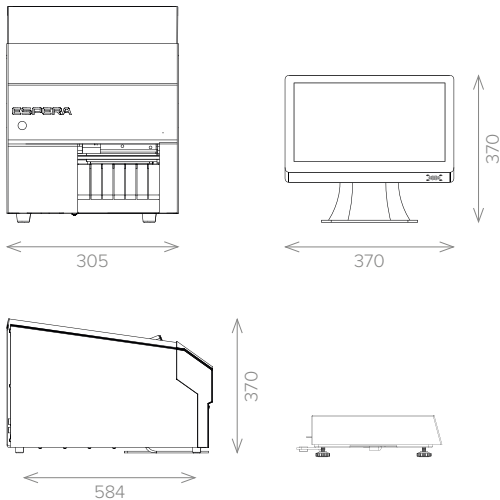


ES-M 2000

Optionally also available as an economical version with plastic housing.

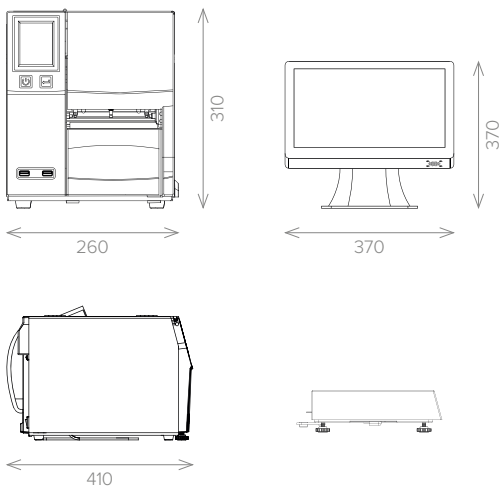


ES-M 1000



Terminal	15.6" full glass touch-terminal
Machine software	Think4Industry
	3 kg, 6 kg, 7.5 kg / 1 g, 2 g, 5 g
Weighing technology	15 kg, 30 kg / 5 g, 10 g
	30 kg, 60 kg / 10 g, 20 g
Performance	Up to 40 packs/min.
Label roll outer diameter	210 mm
Label roll core diameter	76 mm
Printing resolution	300 dpi
Printing speed	300 mm/sec.
Printing width	104 mm
Label size – maximum (L x W, mm)	190 x 110
Label size – minimum (L x W, mm)	36 x 36
Printing technology	Thermal direct, thermal transfer (available with ultrasonic light barrier)
Parallel printer connection	Up to 4 printer
USB	Yes
Storage medium	SSD
Operation temperature	-10°C – +40°C
Power supply	180V – 255V, 50/60Hz
Water protection scale, terminal, printer	IPX5

ES-M 2000



Terminal	15.6" full glass touch-terminal
Machine software	Think4Industry
	3 kg, 6 kg, 7.5 kg / 1 g, 2 g, 5 g
Weighing technology	15 kg, 30 kg / 5 g, 10 g
	30 kg, 60 kg / 10 g, 20 g
Performance	Up to 40 packs/min.
Label roll outer diameter	203 mm
Label roll core diameter	76 mm
Printing resolution	300 dpi
Printing speed	250 mm/sec.
Printing width	104 mm
Label size – maximum (L x W, mm)	190 x 2159
Label size – minimum (L x W, mm)	36 x 36
Printing technology	Thermal direct, thermal transfer, Linerless (no ultrasonic light barrier)
Parallel printer connection	Up to 2 printer
USB	Yes
Storage medium	SSD
Operation temperature	-10°C – +40°C
Power supply	180V – 255V, 50/60Hz
Water protection scale, terminal	IPX5
Water protection printer	IP20

ONE STEP AHEAD.

ESPERA-WERKE GMBH

Moltkestraße 17 - 33
47058 Duisburg
Germany

Telephone: +49 203 30 54 - 0
Fax: +49 203 30 54 - 275
E-Mail: info@espera.com

www.espera.com